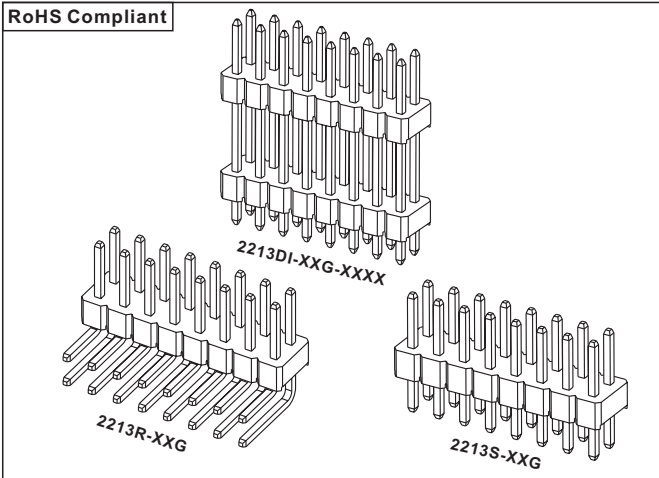




E 144392 E 239329
E 239299 E 315658
E 315997

RoHS Compliant



Specifications

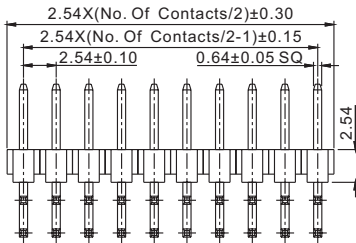
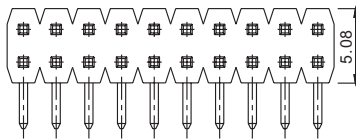
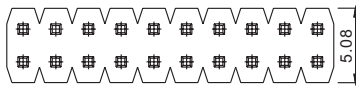
1. Current Rating: 3.0A AC/DC.
2. Voltage Rating: 250V AC/DC.
3. Contact Resistance: 20m ohm. max.
4. Insulation Resistance: 1000M ohm. Min.
5. Withstanding Voltage: 600V AC for one minute.
6. Operating Temperature Range: -40°C to +105°C.

Material and Finish

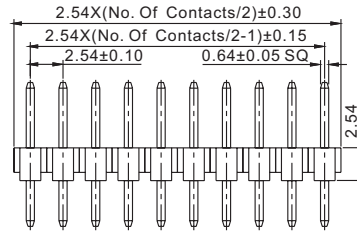
1. Insulator:
Standard: PBT (UL94V-0);
High Temperature Material (UL94V-0).
2. Insulator Height: 1.50/1.70/2.00/2.54/3.00mm, (Detail Spec, Consult to Sales dept).
3. Contact: Copper Alloy.
4. Plating: Gold Plated.

Feature

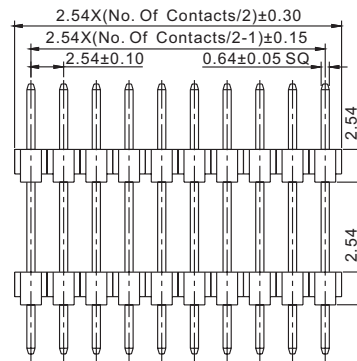
1. Design for Home Appliances, Aviation Electronics, Automobile Electronics and Computer(PC) Peripherals.



P/N:2213R-XXG (A=3.0,B=1.5,C=6.0 Standard Type)



P/N:2213S-XXG (A=3.0,B=6.0,C=11.54 Standard Type)



P/N:2213DI-XXG-XXXX

A/B/C/D Dimension To Be Advised By Value Customers

Ordering Information

2213S-XXG-XXXX

① ② ③ ④

① S: Straight Double Rows	③ G: Gold Plated T: Tin Plated	④ Blank: Standard Type XXXX: Special Length C Dimension
② No. Of Contacts (4 To 80 Ways)		

2213DI-XXG-XXXX

① ② ③ ④

① DI: Double Insulator	③ G: Gold Plated T: Tin Plated	④ XXXX: Special Length D Dimension
② No. Of Contacts (4 To 80 Ways)		

2213R-XXG-XXXX

① ② ③ ④

① R: Right Angle Double Rows	③ G: Gold Plated T: Tin Plated	④ Blank: Standard Type XXXX: Special Length A/B/C Dimension
② No. Of Contacts (4 To 80 Ways)		

Recommended PCB Layout

