



ADAPTER- 6W

GF06-US_{TYPE}

DESCRIPTION:

- U.S.A / JAPAN / TAIWAN
- Wall Mount Type
- Meet CEC Regulations
- ROHS Compliance
- No Load Power Consumption
- Less than 0.3W

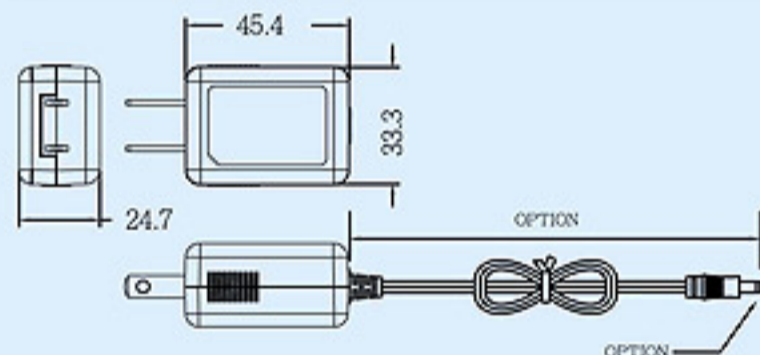
Green Mode

MEET SAFETY:



GENERAL SPECIFICATIONS:

Maximum Output Power:	6W
Input Voltage:	90~264Vac
Input Frequency:	47Hz~63Hz
Input Current:	0.16A
Leakage Current (max):	0.25 mA
Efficiency:	70%
Ripple Noise (max):	240mVp-p
Line Regulation:	±1%
Load Regulation:	±5%
Hold-Up Time:	10mS
Over Voltage Protection:	120%
Operating Temperature:	0~40°C
Operating Relative Humidity:	20~90%RH
Storage Temperature:	-20~80°C
Storage Humidity:	10~95%RH
Withstand Voltage:	3Kv/min
Weight:	64g
Cable type:	UL2468 18AWG or 20AWG



Dimensions:

LxWxH: 45.4x33.3x24.7 (mm)

Model	INPUT	OUTPUT	
GF06-US0512	90-264VAC (47-63HZ)	5V	1.2A
GF06-US0610		6V	1.0A
GF06-US09065		9V	0.65A
GF06-US1205		12V	0.5A
GF06-US1504		15V	0.4A
GF06-US24025		24V	0.25A