



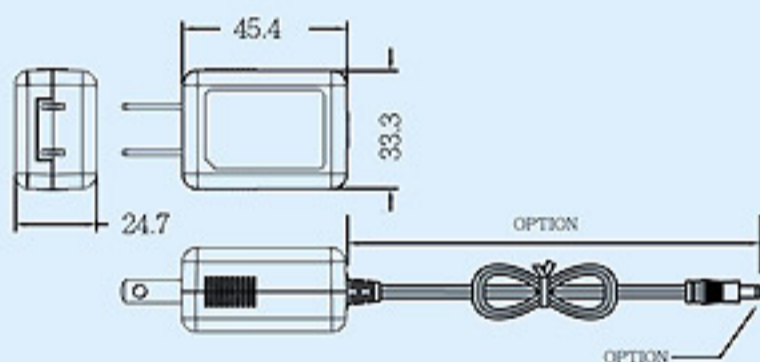
## ADAPTER- 12W

# GF12-US<sub>TYPE</sub>

### DESCRIPTION:

- U.S.A / JAPAN / TAIWAN
- Wall Mount Type
- Meet CEC Regulations
- ROHS Compliance
- No Load Power Consumption Less than 0.3W

**Green Mode**



### MEET SAFETY:



### GENERAL SPECIFICATIONS:

Maximum Output Power:	12W
Input Voltage:	90~264Vac
Input Frequency:	47Hz~63Hz
Input Current:	0.25A
Leakage Current (max):	0.25mA
Efficiency:	80%
Ripple Noise (max):	150mVp-p
Line Regulation:	±1%
Load Regulation:	±5%
Hold-Up Time:	16mS
Over Voltage Protection:	120%
Operating Temperature:	0~40°C
Ambient Humidity (operating):	30~85%RH
Storage Temperature:	-20~80°C
Storage Humidity:	10~95%RH
Withstand Voltage:	3Kv/min
Weight:	70g
Cable Type:	UL2468 18AWG or 20AWG

### Dimensions:

LxWxH: 45.4x33.3x24.7 (mm)

Model	INPUT	OUTPUT	
GF12-US03320	90-264VAC (47-63HZ)	3.3V	2A
GF12-US0520		5V	2A
GF12-US0618		6V	1.8A
GF12-US0913		9V	1.3A
GF12-US1210		12V	1A
GF12-US1508		15V	0.8A
GF12-US2405		24V	0.5A