



# RECHARGEABLE SEALED LEAD ACID BATTERY

Revision 1.2



## WP22-12

### Specifications

<b>Nominal Voltage (V)</b>	12V
<b>Nominal Capacity</b>	
20hour rate ( 1.1A to 10.50V )	22Ah
10hour rate ( 2.2A to 10.50V )	22Ah
5hour rate ( 3.74A to 10.20V )	18.7Ah
1C ( 22A to 9.60V )	9.9Ah
3C ( 66A to 9.60V )	7.92Ah

**Weight** 6.306kg(13.87Lbs.)

**Internal Resistance (at 1KHz)** 10 mΩ

**Maximum Discharge Current for 30 seconds :** 440A

**Maximum Discharge Current for 5 seconds :** 880A

**Operating Temperature Range**

Charge	0°C (32°F) to 40°C (104°F)
Discharge	-15°C (5°F) to 50°C (122°F)
Storage	-15°C (5°F) to 40°C (104°F)

**Charge Retention (shelf life) at 20°C (68°F)**

1 month	92%
3 month	90%
6 month	80%

### Charging Methods at 25°C (77°F)

**Cycle use:**

Charging Voltage 14.4 to 15.0V  
Maximum Charging Current : 6.6A

**Standby use :**

Float Charging Voltage 13.50 to 13.80V  
No current limit required

### Life expectancy :

**Cycle Use :**

100% depth of discharge 250 cycles  
80% depth of discharge 350 cycles  
50% depth of discharge 550 cycles

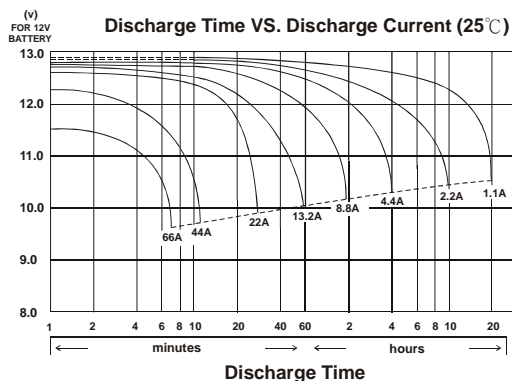
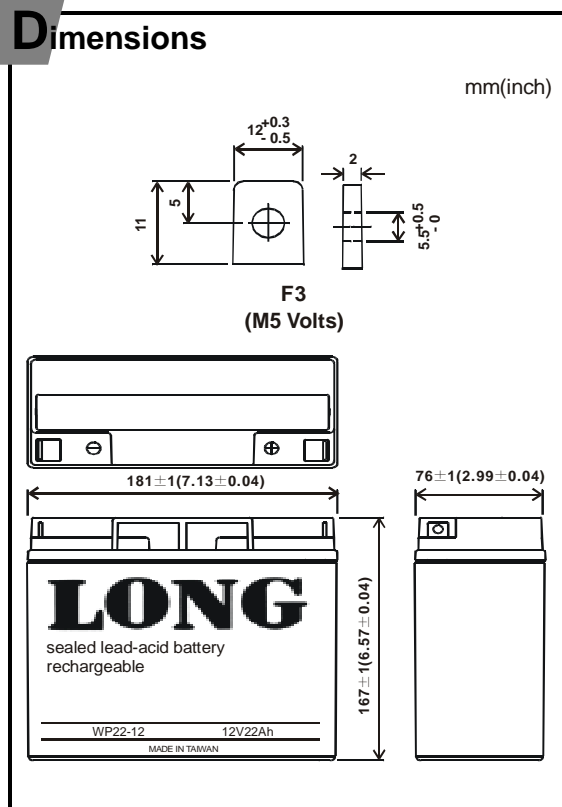
**Standby Use :** 3~5years

**Case Material** ABS

(94-HB & 94V-0 flame retardant case)

**Terminal** F3

### Dimensions



廣隆光電科技股份有限公司 Kung Long Batteries Industrial Co., Ltd.

南投市自立三路6號 NO. 6 TZU-LI 3 ROAD NANTOU CITY TAIWAN R.O.C. TEL: +886-49-2254777 ~8 FAX: +886-49-2253607