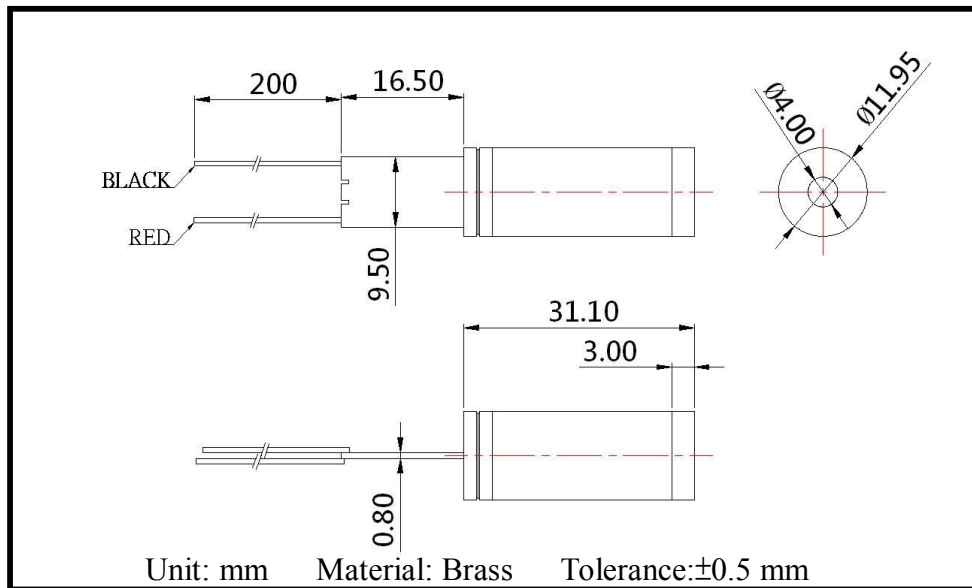




JPM-1-3 (A4) APC

GREEN LASER MODULE



Features:

- Structure: Diode pumped solid-state green lasers.
- Transverse Mode: Tem00
- Operating Mode: CW
- Operating Lifetime: abt.3,000hrs

Applications

- Leveler
- Laser pointer

Absolute maximum ratings

Parameter	Symbol	Rating	Unit
Supply voltage	Vcc	2.4~3.3	V
Operating temperature	Topr	15 ~35	°C
Storage temperature	Tstg	0~ +50	°C

Specifications

Parameter	Symbol	Condition	Min	Typ	Max	Unit
Wavelength	λ_P		-	532	-	nm
Output power	P_0		0.3	-	0.9	mW
Power stability	ΔP_0	Topr=15 ~ +35°C	-10		+10	%
Beam divergence	$2\theta_r$		-	1.55	-	mrad

1) Initial values 2) Each value is measured by using our measuring instrument 3) $\Delta 1$: The distance from laser beam window

Lightvision Technologies, Corp.

6F#5 , NO. 40-2, Sec. 1, Ming Sheng N. Rd., Kwei-Shan , Taoyuan 333, Taiwan

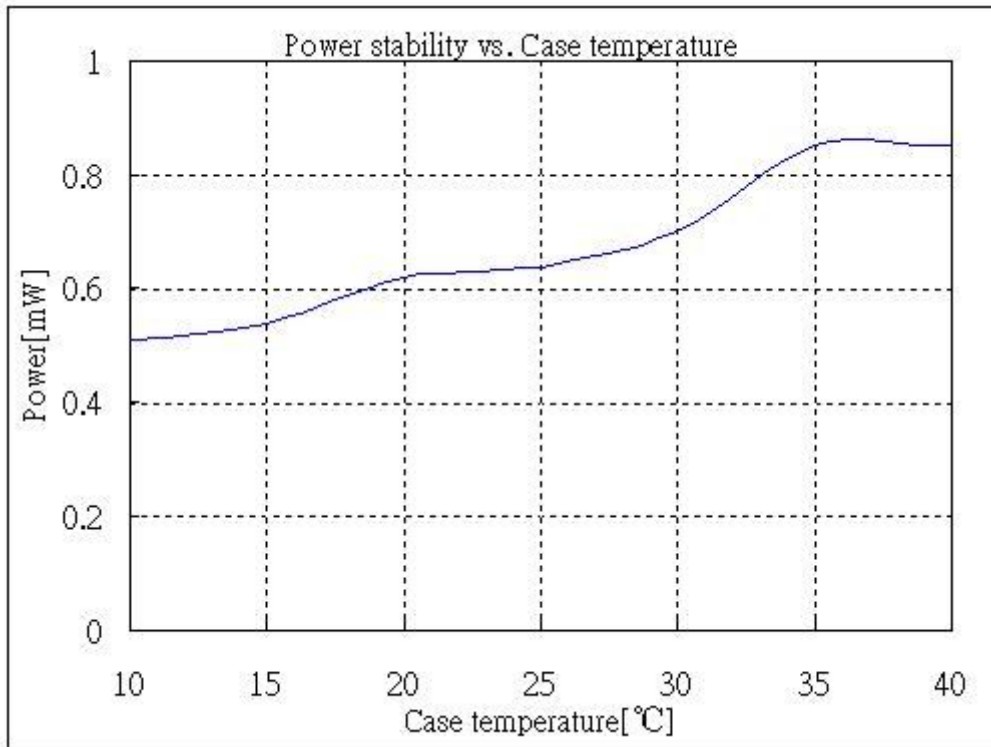
Tel: 886-3-355-5931

E-mail :sales@lightvision.com.tw

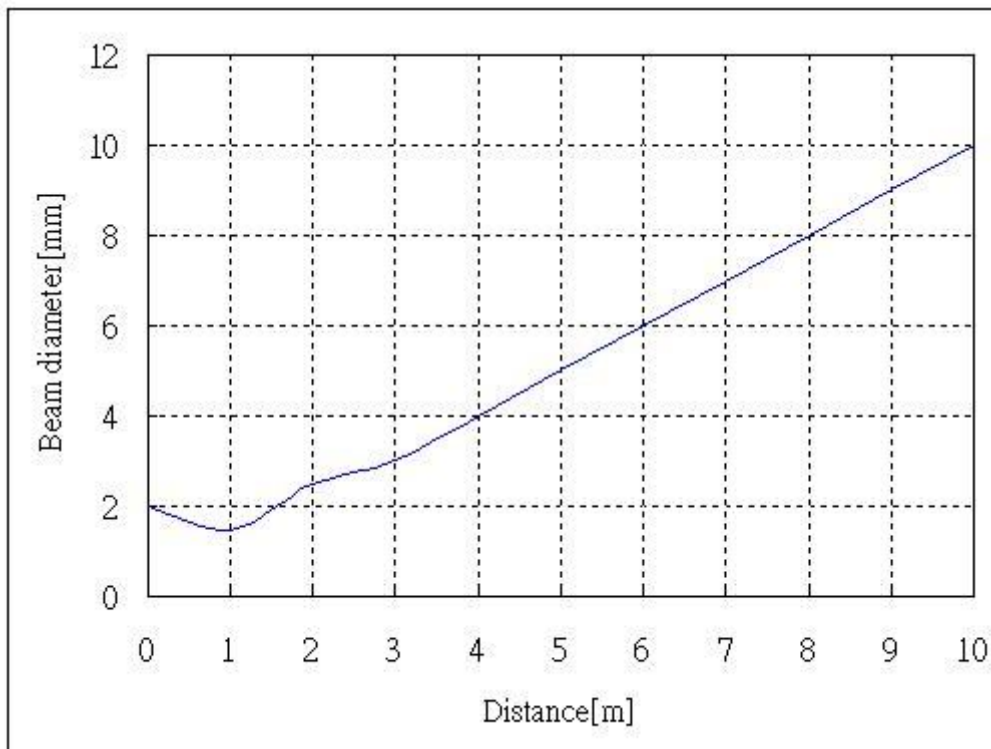
Fax: 886-3-355-5934

Website: www.lightvision.com.tw

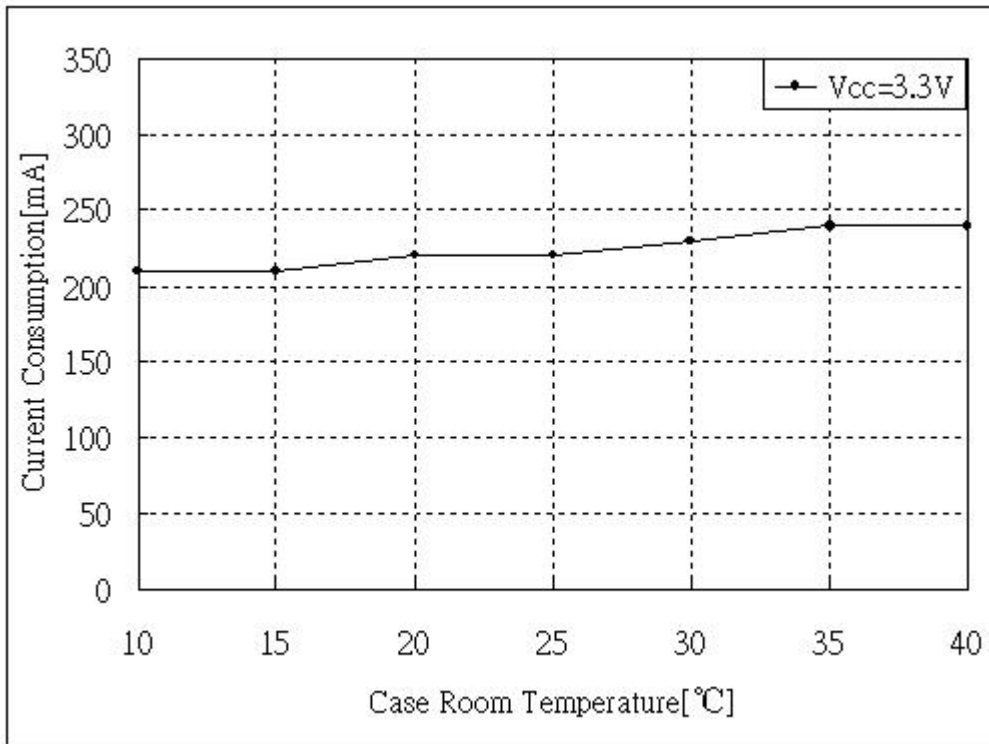
Power stability vs. Case temperature



Beam diameter vs. Distance



Current consumption vs. Case temperature



Current vs. Voltage

